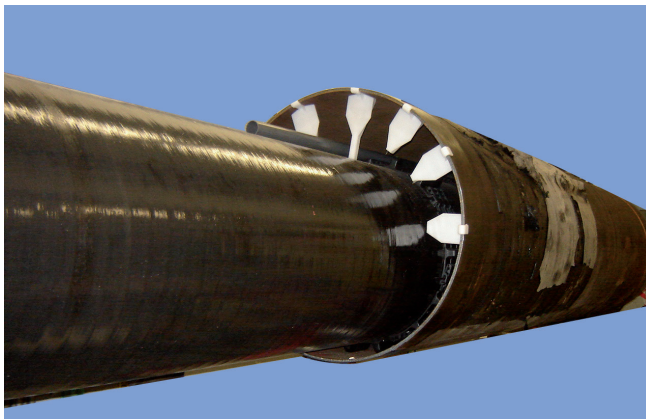
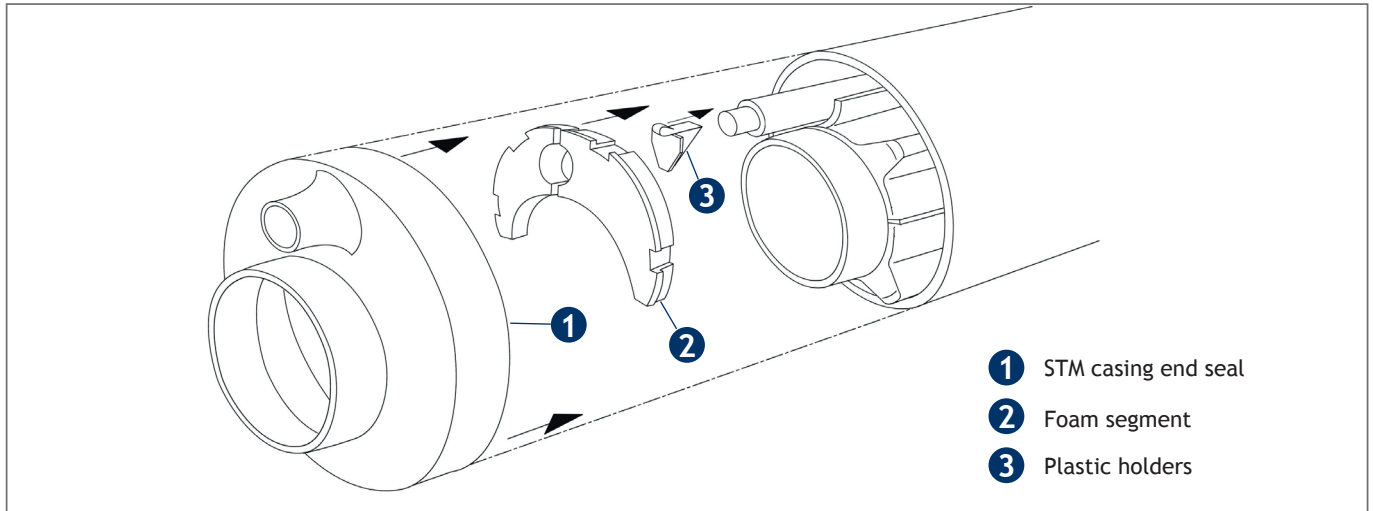
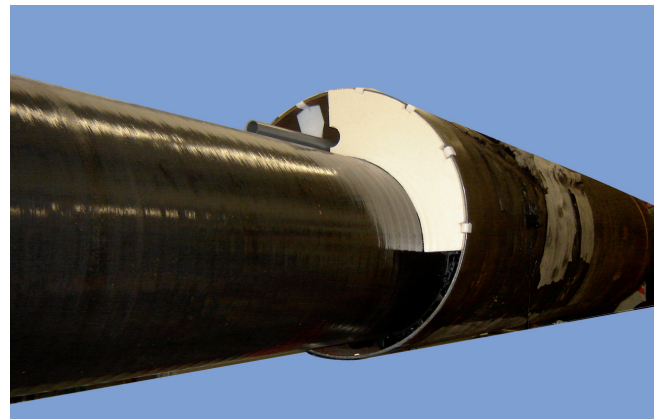


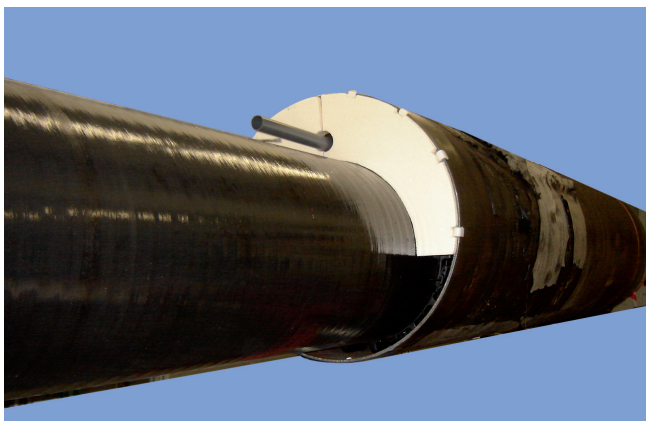
GENERAL INFORMATION



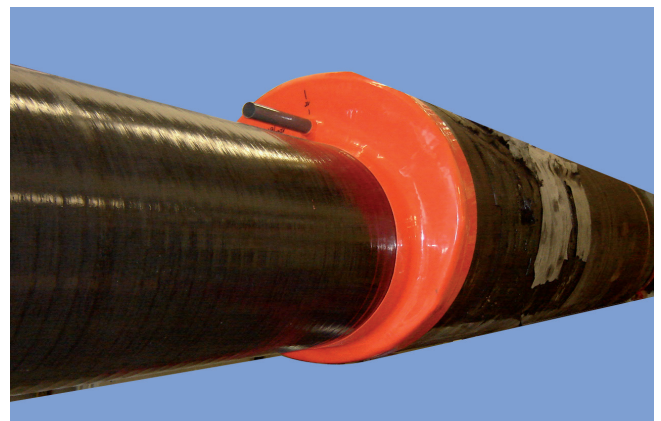
Fix plastic holders with clip on the inner wall of the casing pipe. Cut to suitable length if necessary. The distance must be chosen according to the recesses of the support segments.



Place foam segments on the carrier pipe and insert into casing pipe. Hereby the raised flange rests on the outer front of the casing pipe. This means that secure support is guaranteed.



The cable duct has to be pulled through between the semi-circular recesses. If the recesses are too small, they can be slightly enlarged by cutting them out further with a knife.



Pull casing end seal over the pipe and fit fastening straps (included).